



Kingfisher external weather louvres provide a well designed, robust and cost effective solution for extract and intake of air.

The 45 degree blades are set at a 30mm pitch for excellent weatherability and low airflow resistance.

## INFRAME LOUVRES

Available for internal or external use as framed units with either a 38mm surrounding flange for wall mounted fixing or recessed frame, enabling multiple panel assemblies to be used together.



Recessed frame



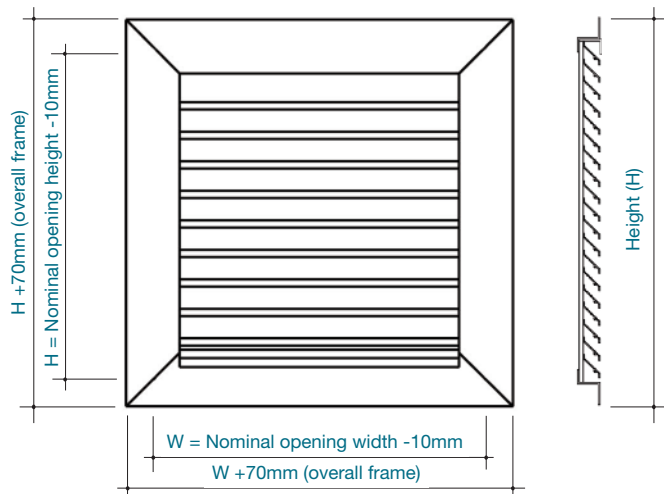
Flanged frame



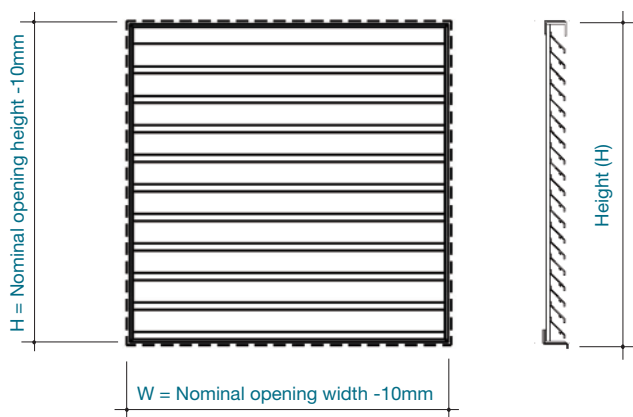




### Flanged frame weather louvre



### Recessed frame weather louvre



### Construction

Manufactured from extruded aluminium sections with mitred and welded corners. Available in mill finish, satin anodised or powder coated.

Louvres can be also supplied with 4mm insect mesh which will also provide bird resistance.

### Size

Available in sizes from 225mm x 225mm up to 2000mm wide and 1500mm high.

### Weathering performance

The louvre system has been tested by BSRIA to BS EN 13030: 2002 and achieves Class B being up to 98.6% effective.

### Airflow performance

The louvre system has been tested to achieve a discharge coefficient of Cd 0.24.

### Ordering

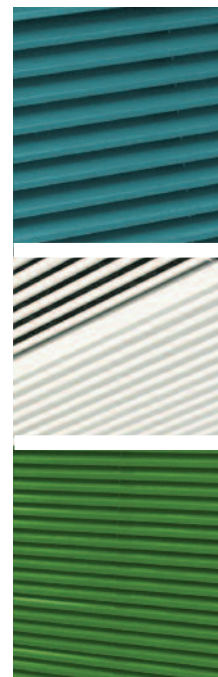
State quantity, the product name and the size W (nominal width) x H (nominal height).

### Quality assurance

Kingfisher products are designed, developed and manufactured under a BS EN ISO 9001 quality management system, giving an independently audited assurance that the products will fulfil their intended purpose.

### Operational commitment

As part of our commitment to minimising our impact on the environment, and to continuous improvement in our methods of operation, Kingfisher is accredited to ISO 14001 Environmental Management and OHSAS 18001 Health and Safety Management and ISO 9001 Quality Management Systems.



### Stockist

### KINGFISHER LOUVRE SYSTEMS Ltd

Plymouth Ave, Brookhill Ind. Estate, Pinxton, Nottingham NG16 6NS.  
Telephone: 01773 814102 Fax: 01773 814103  
Email: [info@kingfisherlouvres.com](mailto:info@kingfisherlouvres.com) Web: [www.kingfisherlouvres.com](http://www.kingfisherlouvres.com)

Kingfisher Louvre Systems Ltd maintains a policy of continuous development and reserves the right to amend product specifications without notice.



A division of Building Product Design Ltd. Company Registration No: 3944123

